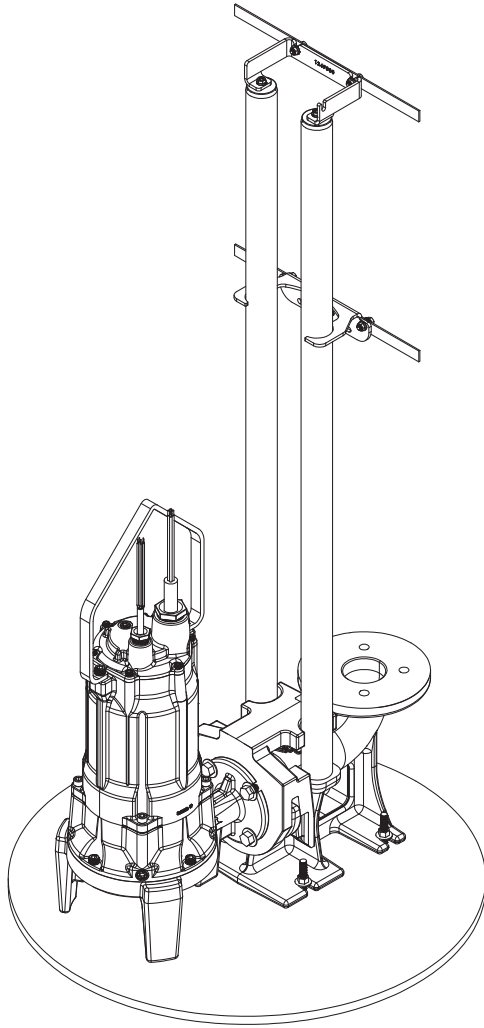
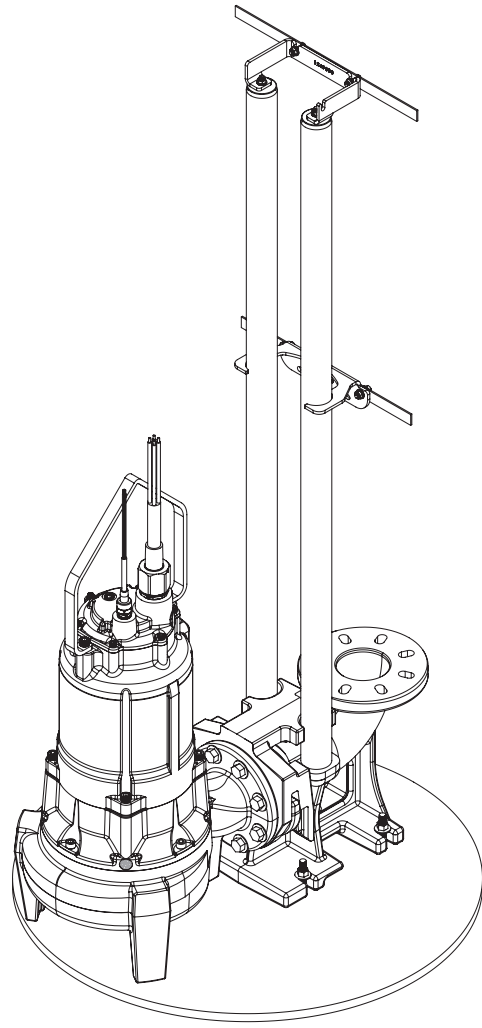


Pump Specification

GR3 & GR4-Series Guide Rail System

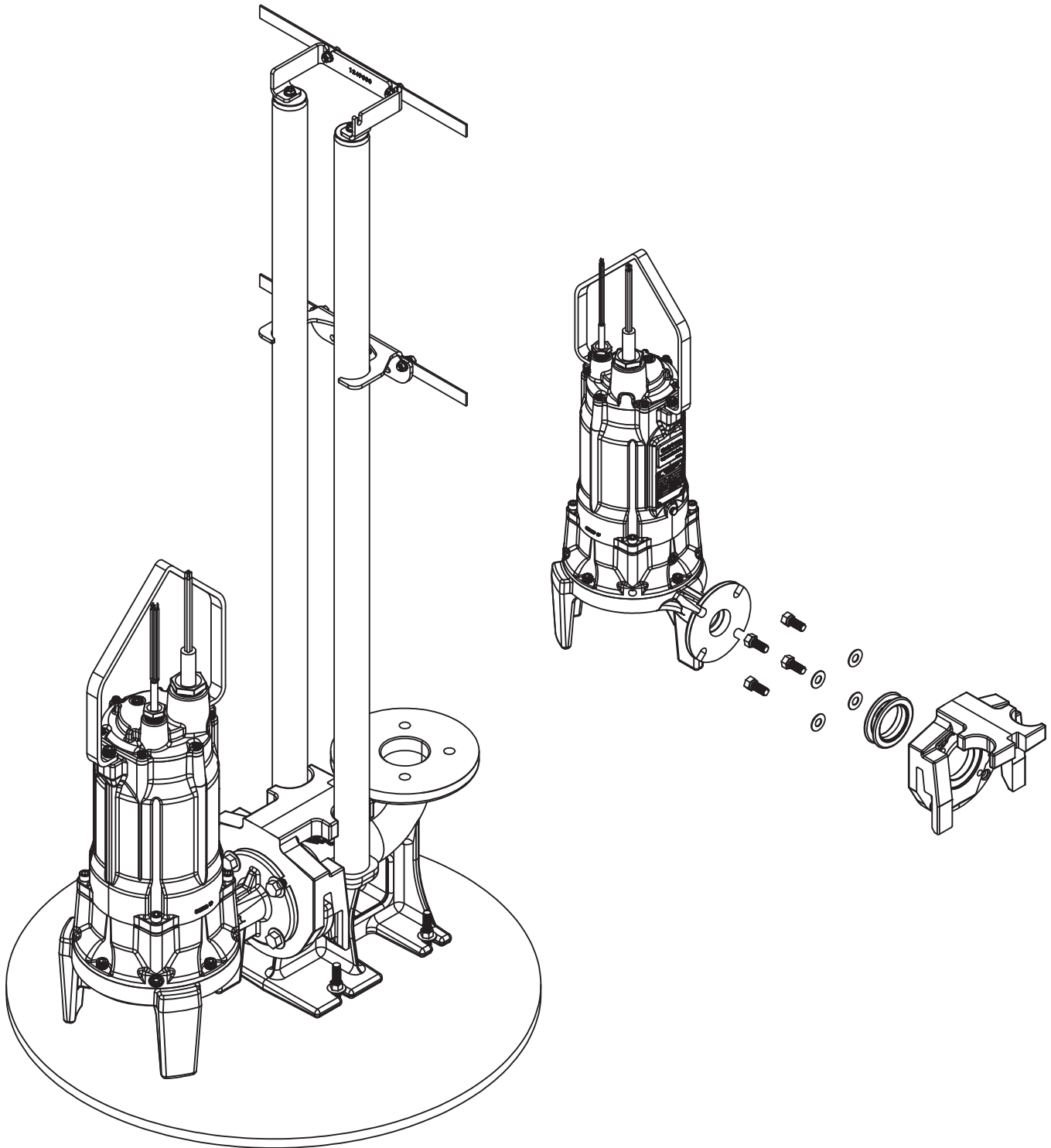


**GR3-Series
3" Discharge**

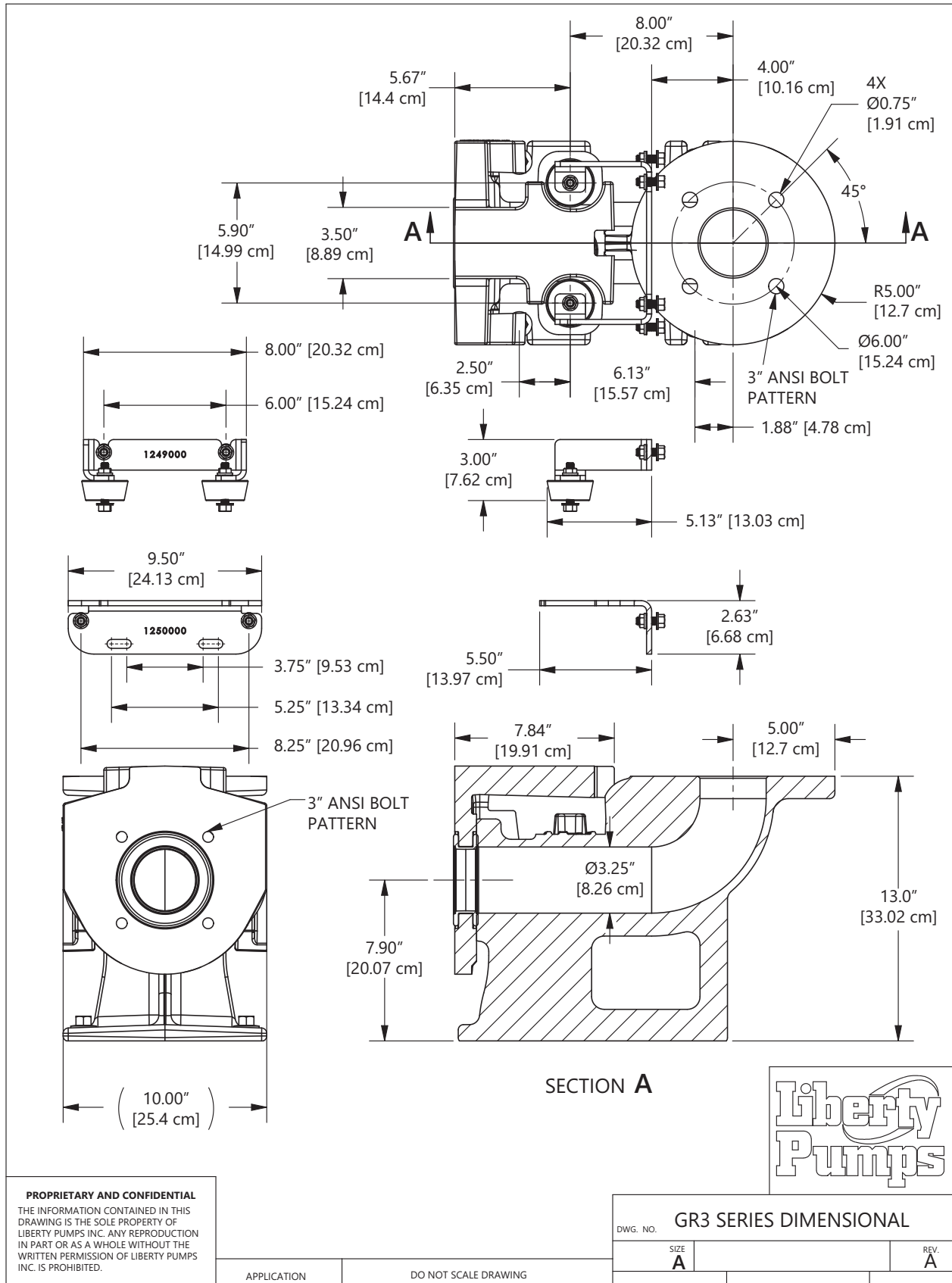


**GR4-Series
4" Discharge**

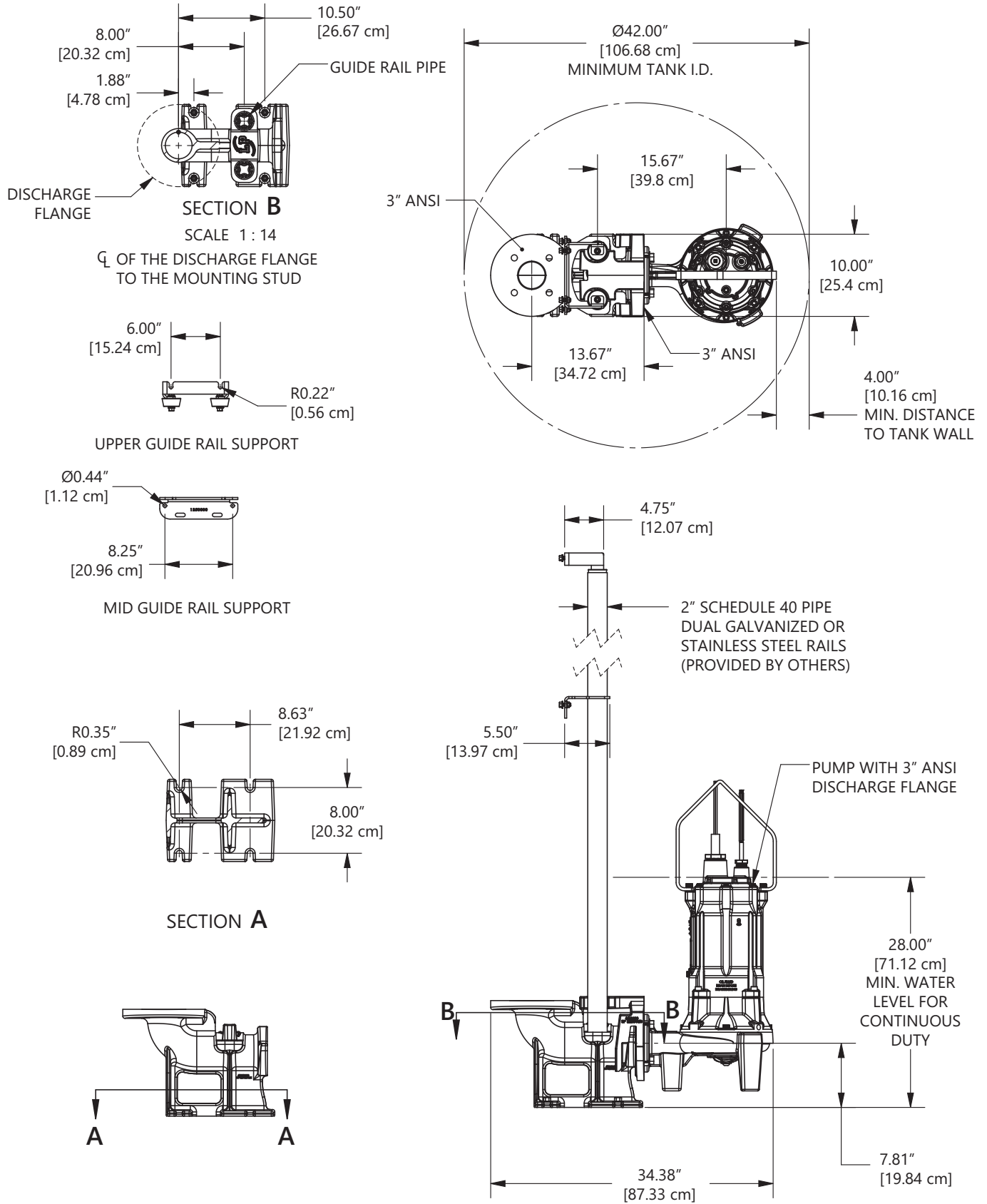
GR3-Series



GR3-Series Dimensional Data



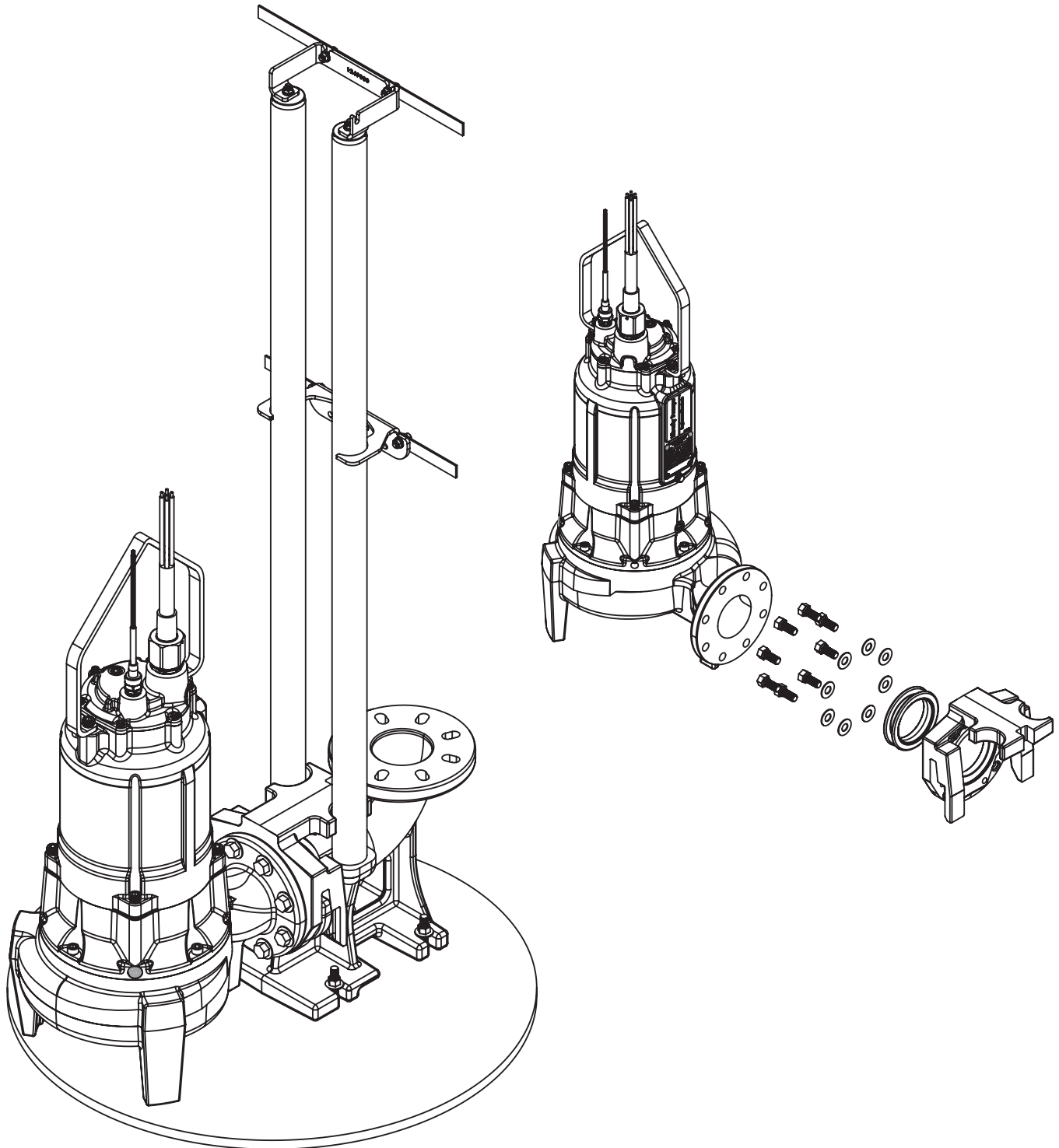
GR3-Series Dimensional Data



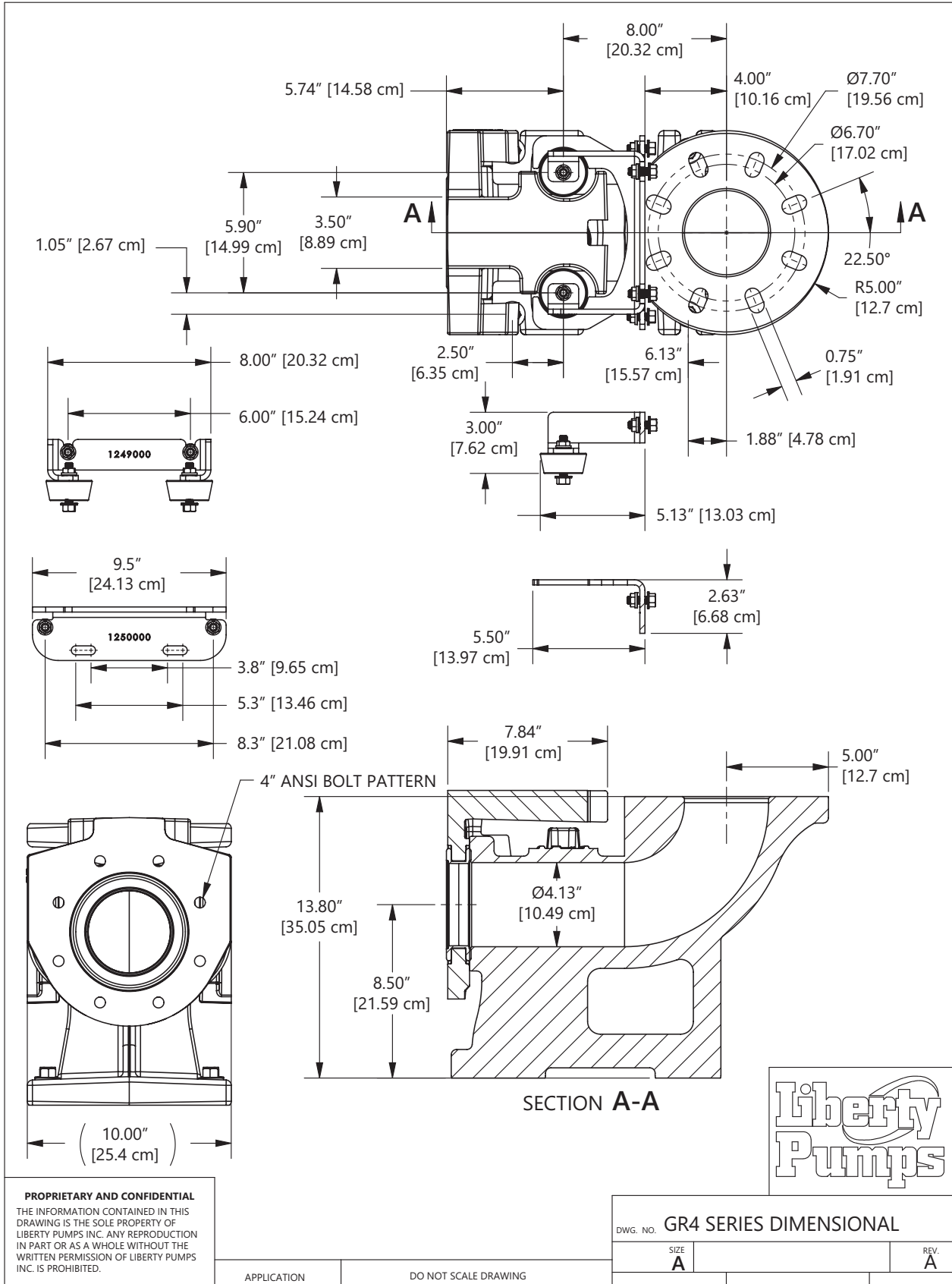
GR3-Series Technical Data

MODEL	GR3-SERIES FOR ORDINARY LOCATIONS	GR3NS-SERIES FOR HAZARDOUS LOCATIONS
GUIDE RAIL BASE	CLASS 30 CAST IRON	CLASS 30 CAST IRON
DISCONNECT	CLASS 30 CAST IRON	BRONZE
GUIDE RAIL	ACCEPTS STANDARD 2" PIPE <i>(pipes not included)</i>	ACCEPTS STANDARD 2" PIPE <i>(pipes not included)</i>
DISCHARGE PIPE	ACCEPTS STANDARD 3" PIPE <i>(pipes not included)</i>	ACCEPTS STANDARD 3" PIPE <i>(pipes not included)</i>
PAINT	EPOXY POWDER COAT	EPOXY POWDER COAT <i>(except disconnect)</i>
HARDWARE	STAINLESS STEEL	STAINLESS STEEL
SEALING GROMMET	BUNA-N	BUNA-N
PUMP INTERFACE	FITS ALL ORDINARY LOCATION LEP HORIZONTAL 3" DISCHARGE PUMPS	FITS ALL HAZARDOUS LOCATION LEP HORIZONTAL 3" DISCHARGE PUMPS
MAXIMUM PUMP WEIGHT	340 KG / 750 LBS	340 KG / 750 LBS

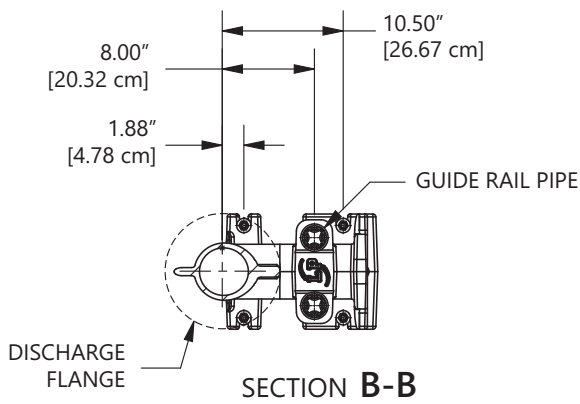
GR4-Series



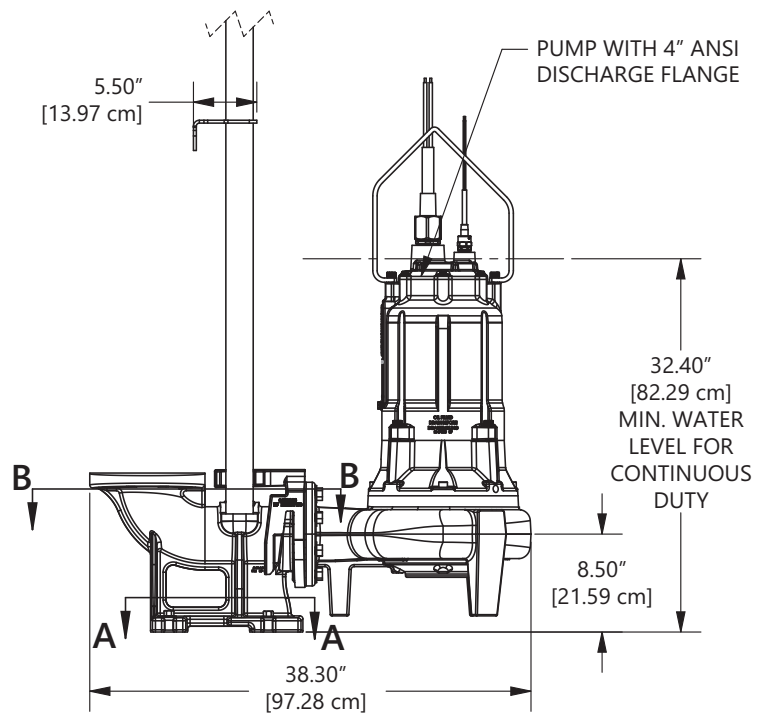
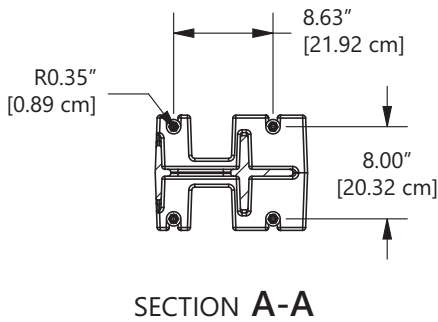
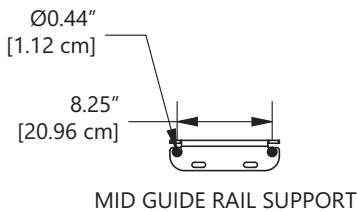
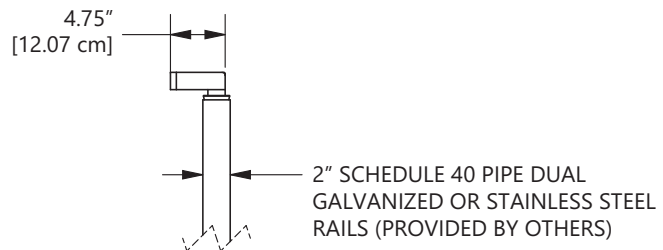
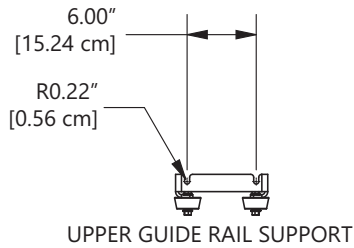
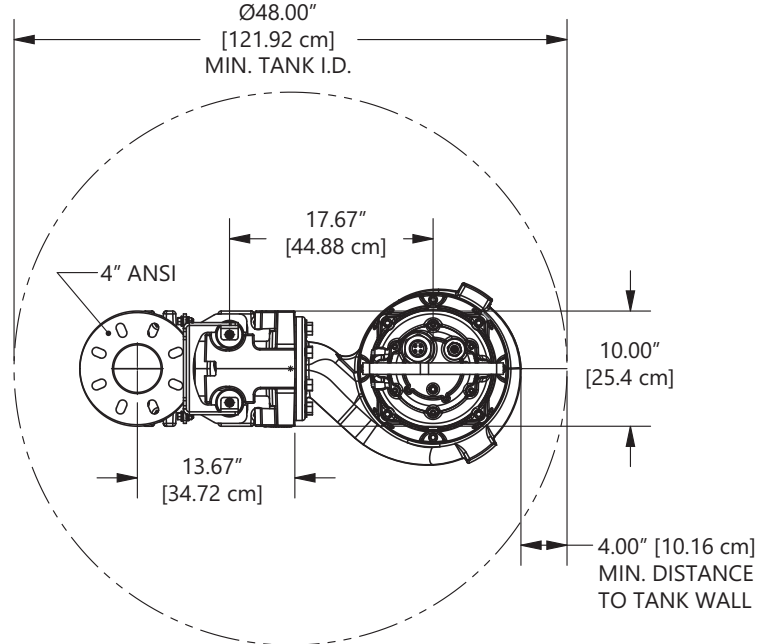
GR4-Series Dimensional Data



GR4-Series Dimensional Data



⊥ OF THE DISCHARGE FLANGE TO THE MOUNTING STUD



GR4-Series Technical Data

MODEL	GR4-SERIES FOR ORDINARY LOCATIONS	GR4NS-SERIES FOR HAZARDOUS LOCATIONS
GUIDE RAIL BASE	CLASS 30 CAST IRON	CLASS 30 CAST IRON
DISCONNECT	CLASS 30 CAST IRON	BRONZE
GUIDE RAIL	ACCEPTS STANDARD 2" PIPE <i>(pipes not included)</i>	ACCEPTS STANDARD 2" PIPE <i>(pipes not included)</i>
DISCHARGE PIPE	ACCEPTS STANDARD 4" PIPE <i>(pipes not included)</i>	ACCEPTS STANDARD 4" PIPE <i>(pipes not included)</i>
PAINT	EPOXY POWDER COAT	EPOXY POWDER COAT <i>(except disconnect)</i>
HARDWARE	STAINLESS STEEL	STAINLESS STEEL
SEALING GROMMET	BUNA-N	BUNA-N
PUMP INTERFACE	FITS ALL ORDINARY LOCATION LEP HORIZONTAL 4" DISCHARGE PUMPS	FITS ALL HAZARDOUS LOCATION LEP HORIZONTAL 4" DISCHARGE PUMPS
MAXIMUM PUMP WEIGHT	750 LBS	750 LBS

GR3&4-Series Base Mounting Template

DRAWING NOT TO SCALE

